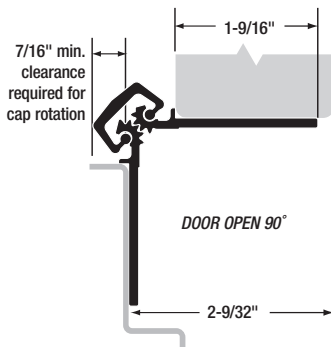
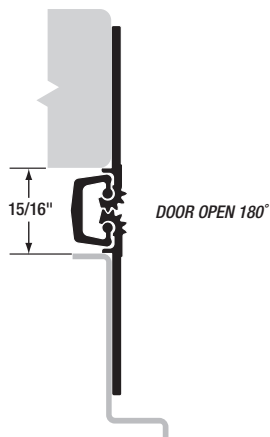


DOOR CLOSED



DOOR OPEN 90°



DOOR OPEN 180°

**MATERIAL:** Extruded 6063 T6 aluminum alloy with self-lubricating polyester thrust bearings.

**LENGTHS:** 83", 85", 95" and 120" lengths standard for nominal door heights. Custom lengths are available.

**LOAD/FREQUENCY RATINGS:** For 1-3/4" doors. 48" max. door width in 16 gauge hollow metal (min.) or 1/8" aluminum (min.).

**Standard Duty** — Tested per BHMA standards for medium-frequency doors up to 200 lb. without frame or door reinforcement.

**Heavy Duty** — Tested per BHMA standards. Up to 200 lb. doors (high-frequency) and up to 400 lb. doors (medium-frequency) without frame or door reinforcement; up to 600 lb. doors (low-frequency) with the use of Rivnuts in the frame and door.

**Heavy Duty (LL)** — Our HD hinge with additional fastener holes for low-frequency doors up to 1,000 lb., including most lead-lined doors. Rivnuts are recommended in the frame and door on extremely tall, extremely heavy or wide doors.

**FINISHES:** All SL11 hinges are stocked in Clear, Dark Bronze and Black anodized aluminum. Custom anodized or painted finishes are available. Product painted or anodized in the field voids the SELECT hinge warranty.

**CLOSERS:** Conventional overhead surface, concealed sliding arm overhead or floor closers may be used with SELECT hinges. Pivot-type floor closers (with a fixed, conflicting center pivot) must be replaced.

**ORDER:** Specify length, finish and standard duty (SD), heavy duty (HD) or heavy duty with additional fastener holes (LL). Also, specify door and frame screw applications. 12-24 x 3/4" self-drilling, thread-forming 410SS Phillips undercut flathead screws are provided as a standard pack unless otherwise specified. Wood and thread-forming screws also available. Security screws optional at extra cost.

**AVAILABLE ELECTRIC PREPS:** EPT, ATW, EMS, CTW4, CTW5, CTW8, CTW10, CTW12, CMG, AP and RP. For CTW12 prep, please consult factory for engineering approval.

**BHMA CERTIFICATION:** SL11SD, SL11HD and SL11LL geared continuous hinges conform to BHMA Standard ANSI/BHMA A156.26-2006 Grade 1.

SL11 HINGE SCREW COUNT		
HINGE LENGTH & DUTY RATING	DOOR SCREWS	FRAME SCREWS
79" HD	19	19
83" SD/HD	19	19
85" SD/HD	19	19
95" SD/HD	21	21
120" SD/HD	23	23
83" LL	26	26
85" LL	26	26
95" LL	30	30
120" LL	34	34

## SELECT Advantages



### PAIR-MATCHED™ HINGE LEAVES

Manufactured together, machined together and anodized together, making SELECT hinges fit your doors better and last longer. *An exclusive SELECT benefit.*



### LIFETIME LUBRICATION

Eliminates the need for periodic maintenance. Quiet performance. Fights gear cap wear. *An exclusive SELECT benefit.*



### ANODIZED AFTER MACHINING

Delivers superior wear, durability and life. Inhibits corrosion. Few hinge makers follow SELECT's lead in using this superior manufacturing process.



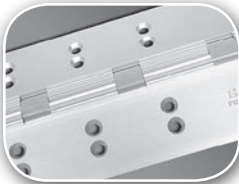
### MEETS LEED REQUIREMENTS

Made from recycled aluminum. Reduces environmental impact and qualifies for LEED points. *An exclusive SELECT benefit.*



### PATENTED 3-HR. FIRE RATING

Most SELECT hinges are fire rated for **90 minutes. 3-Hr. fire rating**, optional at extra cost, approved for positive/negative pressure. No fire pins or studs required. Patented design innovation. *An exclusive SELECT benefit.*



### CONSISTENT TEMPLATING

Hole pattern is identical on both Standard and Heavy Duty models, so SELECT hinges line up precisely for easier and faster installation. *An exclusive SELECT benefit.*



### COATED FASTENERS

Provide additional corrosion protection with either self-drilling, thread-forming (SDTF) or thread-forming (TF) screws. *An exclusive SELECT benefit.*



### CUSTOM COLORS

Match any paint color on the gear cap or the entire hinge and fasteners, including our always-in-stock Bone White gear caps. Anodized colors also available.

## SELECT Hinge Performance

- A SELECT geared continuous hinge has been tested in accordance with ANSI 250.4-1994 test procedure and acceptance criteria for physical endurance for steel doors and hardware and has surpassed 25,000,000 cycles during testing by an independent laboratory. On a door cycling 400,000 times per year, a SELECT hinge will be performing for over 62 years.
- SELECT geared continuous hinges are built to handle abuse from high-traffic applications. They are applied to the surface on the edge of the frame and door. No machining or reinforcement is required.
- The revolutionary SELECT geared continuous hinge puts an end to costly and irritating hinge failure problems, the most common cause of entrance failure.
- On conventional hinges, opening and “kick-back” energy concentrate on a few inches of fastened reinforcing plate — with the top hinge handling 100% of the force. Pinless SELECT hinges bond the door and frame into an integrated, sag-free unit. “Kick-back” energy dissipates along the entire length of the door and frame. (Compare this to a conventional hinge’s 4-1/2" to 5" at the top of the door and frame).
- SELECT geared continuous hinges eliminate the gap between the door and frame, providing a weatherproof, rust-proof, tamper-proof barrier. When the door is closed, there are no accessible screws, bolts or pins.
- SELECT SL11 geared continuous hinges are listed and tested by Underwriters Laboratories to meet the Positive and Negative pressure requirements of UL10B and UL10C, and are in accordance with UBC 7.2 (1997). SELECT SL11 geared continuous hinges are for use on swinging single fire doors (max. door opening of 4'x10') or pairs of fire doors (max. door opening of 8'x10'), including double egress, installed in masonry or drywall. SELECT SL11 geared continuous hinges are rated for up to 1-1/2 hours for wood composite and wood core type fire doors. A special patented process can be added to increase the fire rating to 3 hours (NO FIRE PINS OR STUDS REQUIRED) for hollow metal or steel covered composite type doors.





# MARKS USA

## SURVIVOR SERIES LEVERSETS

*"THE SURVIVOR SERIES...IT SURVIVES...OTHERS WON'T"*

195/26D



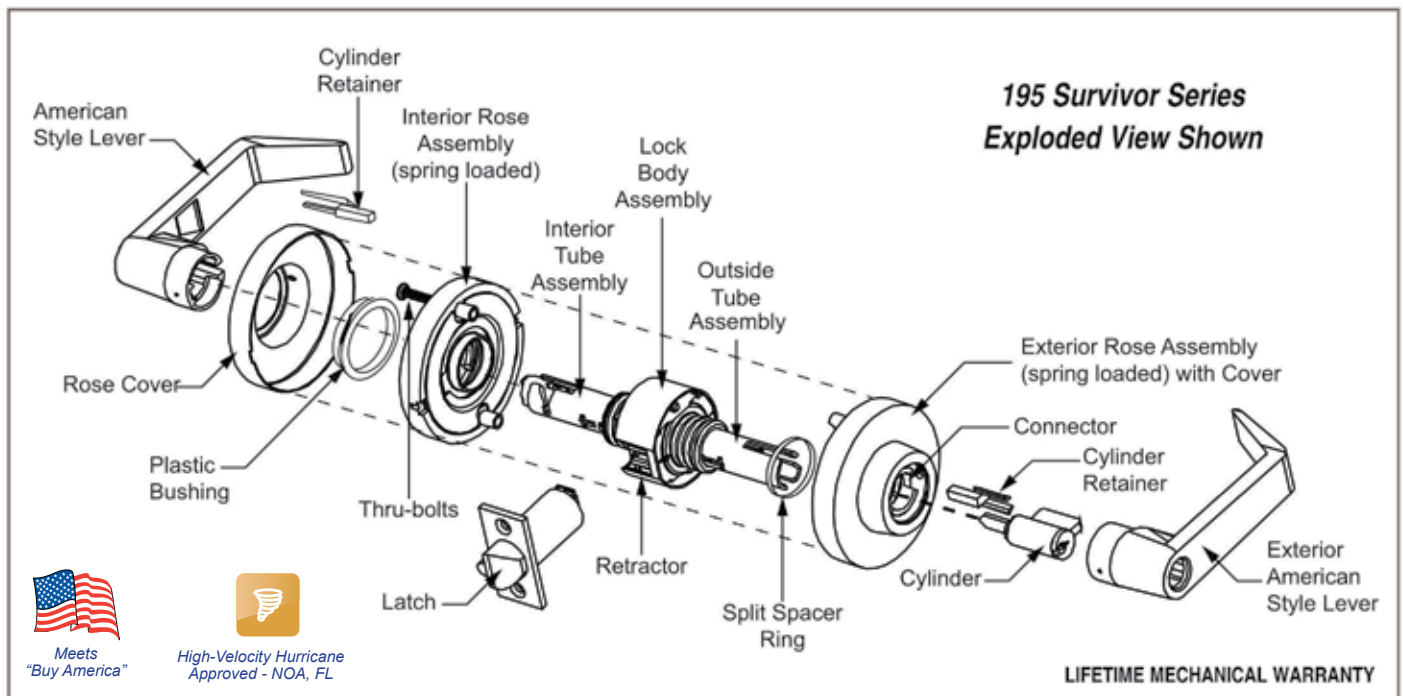
395/3



275/10B



475/26

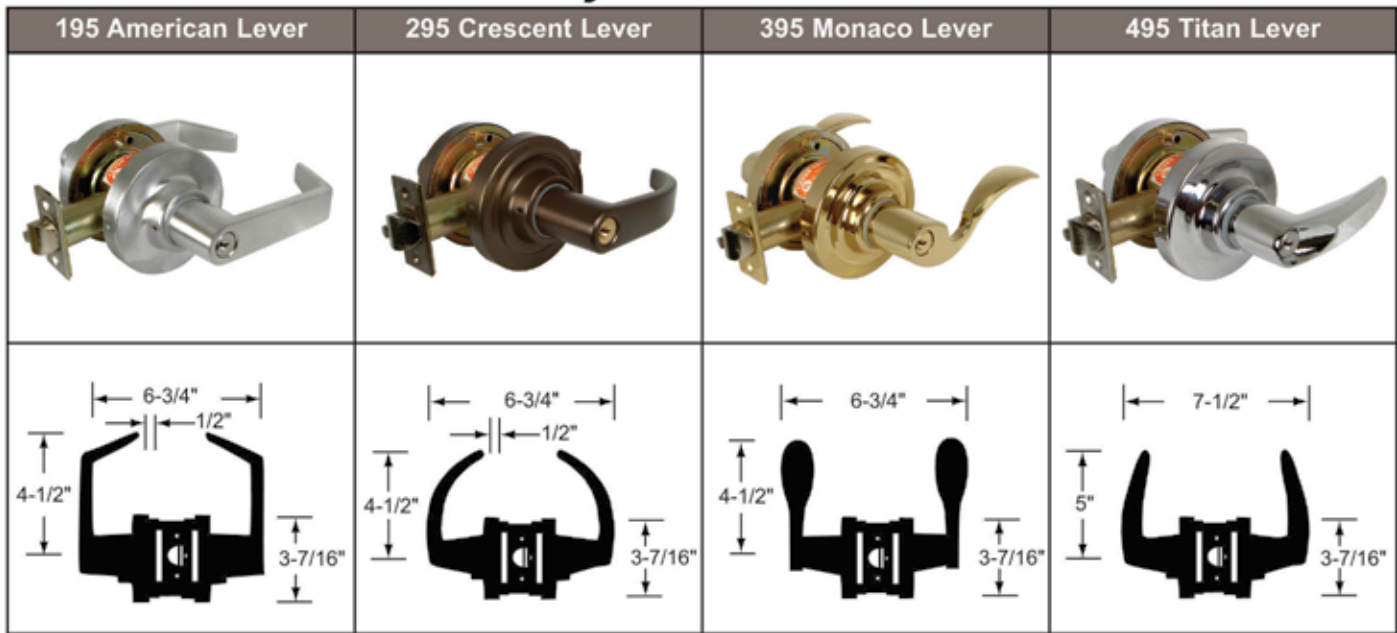


Meets "Buy America"



High-Velocity Hurricane Approved - NOA, FL

# 95 Series Grade 1 Cylindrical Survivor Leversets



## Standard Features

- ANSI-A156.2 Grade 1, UL listed 3 Hr. Fire Rating
- Backset: 2-3/4", 2-3/8" Available
- Latch #1834, Front: 1-1/8" x 2-1/4"; Throw: 9/16"; Stainless steel nose
- Levers: Solid cast Zamac; w/ 1/2" return (except 395 & 495)
- Roses: Thru-bolted, 3-7/16" dia., spring loaded 2-#10 thru-bolts

- Strike: #1135, 4-7/8" ASA curved lip strike
- Door thickness: 1-5/8" to 1-7/8"; For 1-3/8" door use K1904 spacer
- Cylinder: MARKS "C" keyway, 6 pin w/ 2 keys
- Stainless steel retractor
- NOTE: 395 Series is NOT available with IC Core

**\* LIFETIME \*  
MECHANICAL  
WARRANTY**

## SERIES 195, 295, 395, 495

MARKS #		DESCRIPTION	ANSI #	FINISH GROUPS
COMM. CYL.	IC CORE CYL.*			
N	—	PASSAGE	F75	3, 4, 10, 10B, 26, 26D
L	—	PRIVACY	F76	
LK	—	PRIVACY	F76 MOD.	
P	—	PATIO	F77	
DC	RDC	COMMUNICATING	F80	
A	RA	ENTRY	F81	
B	RB	ENTRY	F82A	
AB	RAB	ENTRANCE	F109	
AQ	—	EXIT	F83	
S	RS	CLASSROOM	F84	
F	RF	STOREROOM	F86	
DW	RDW	INSTITUTION	F87	
DA	RDA	VESTIBULE	F88	
FQ	—	EXIT	F89	
T	RT	CORRIDOR	F90	
TK	RTK	HOSPITAL/PRIV.	F90 MOD.	
GB	RGB	STORE DOOR	F91	
BS	RBS	SVC. STATION LOCK	F92	
H	—	HOTEL	F93	
DB	RDB	CLASSROOM INTRUDER	F110	
DO	—	DUMMY TRIM OUTSIDE	—	
DT	—	FULL DUMMY TRIM	—	
NB	—	COMM. PASSAGE	F111	
FB	RFB	COMM. STOREROOM	F112	
SB	RSB	COMM. CLASSROOM	F113	
FEL	RFEL	ELECTRICALLY LOCKED	—	
FEU	RFEU	ELECTRICALLY UNLOCKED	—	

PACKED 6 PER CASE

NOTE: Split designs and/or finishes are priced at the highest design and/or finish  
• Special finishes, consult factory

OPTIONS	CODE
For 2" doors	D1
For 2-1/4" doors	D2
Over 2-1/4" - 4" thickness	D9
2-3/8" backset, 1" x 2-1/4" face	E6
2-3/4" backset, 3/4" throw, Gr. 1	E8
Solid latch for electric strike	E9
3-3/4" backset, 9/16" throw, Gr. 1	E10
Less cylinder	G3
2-3/4" "T" strike	S3

### AMERICAN LEVER ONLY Accepts:

Yale conventional	F7
Sargent conventional cylinder	F8
Corbin conventional cylinder	F9
Corbin 6 pin IC core	F12
Corbin 7 pin IC core	F13
Yale 6 pin IC core	F14
Yale 7 pin IC core	F15
Schlage 6 pin IC core (195 Only)	F19
Sargent IC core	F20

### AMERICAN & CRESCENT LEVER ONLY Accepts:

Medeco IC core large format	F21
-----------------------------	-----

### ELECTRIFIED MODELS AVAILABLE



#### Electrified Functions:

100% Duty Cycle 24v AC/DC, supplied w/ bridge rectifier  
EU - 210 ma; EL - 125 ma

#### \* Standard & HI-SECURITY™ IC Core Models:



Interchangeable Core models for 6 or 7 pin cores (not included).  
Accepts: Marks, Marks HI-SECURITY™, Medeco®, KeyMark™, Falcon, Schlage® small format & Best®.

IC Core Tailpieces ARE Included.

# 75 Series Grade 2 Cylindrical Survivor Leversets

175 American Lever	275 Crescent Lever	375 Monaco Lever	475 Titan Lever
			
			

## Standard Features

- ANSI-A156.2 Grade 2 Plus, UL listed 3 Hr. Fire Rating
- Backset: 2-3/4"
- Latch #1134, Front: 1-1/8" x 2-1/4"; Throw: 1/2"; Stainless steel nose
- Levers: Solid cast Zamac; w/ 1/2" return (except 375 & 475)
- Roses: Thru-bolted, 3-1/4" dia., spring loaded 2-#10 thru-bolts

- Strike: #1145, ASA strike
- Door thickness: 1-5/8" to 1-7/8"; For 1-3/8" door use K1704 spacer
- Cylinder: MARKS "C" keyway, 6 pin w/ 2 keys
- Stainless steel retractor
- NOTE: 375 Series is NOT available with IC Core

**\* LIFETIME \*  
MECHANICAL  
WARRANTY**

## SERIES 175, 275, 375, 475

MARKS #		DESCRIPTION	ANSI #	FINISH GROUPS
COMM. CYL.	IC CORE CYL.*			
N	—	PASSAGE	F75	3, 4, 10, 10B, 26, 26D
L	—	PRIVACY	F76	
P	—	PATIO	F77	
DC	RDC	COMMUNICATING	F80	
A	RA	ENTRY	F81	
B	RB	ENTRY	F82A	
AB	RAB	ENTRANCE	F109	
AQ	—	EXIT	F83	
S	RS	CLASSROOM	F84	
F	RF	STOREROOM	F86	
DW	RDW	INSTITUTION	F87	
DA	RDA	VESTIBULE	F88	
FQ	—	EXIT	F89	
T	RT	CORRIDOR	F90	
BS	RBS	SVC. STATION LOCK	F92	
H	—	HOTEL	F93	
DO	—	DUMMY TRIM OUTSIDE	—	
DT	—	FULL DUMMY TRIM	—	
NB	—	COMM. PASSAGE	F111	
FB	RFB	COMM. STOREROOM	F112	
SB	RSB	COMM. CLASSROOM	F113	

PACKED 6 PER CASE

NOTE: Split designs and/or finishes are priced at the highest design and/or finish  
• Special finishes, consult factory

OPTIONS	CODE
For 2" doors	D1
For 2-1/4" doors	D2
2-3/8" backset, 1" x 2-1/4" face	E6
2-3/4" backset, 9/16" throw, Gr. 1, UL Listed	E7
2-3/4" backset, 3/4" throw, Gr. 1	E8
5" backset, 9/16" throw, Gr. 1	E9
3-3/4" backset, 9/16" throw, Gr. 1	E10
Less cylinder	G3
2-3/4" T strike	S3
<b>AMERICAN LEVER ONLY Accepts:</b>	
Yale conventional	F7
Sargent conventional cylinder	F8
Corbin conventional cylinder	F9
Corbin 6 pin IC core	F12
Corbin 7 pin IC core	F13
Yale 6 pin IC core	F14
Yale 7 pin IC core	F15
Schlage 6 pin IC core (175 Only)	F19
Sargent IC core	F20
<b>AMERICAN &amp; CRESCENT LEVER ONLY Accepts:</b>	
Medeco IC core large format	F21

### \* Standard & HI-SECURITY™ IC Core Models:



Interchangeable Core models for 6 or 7 pin cores (not included).  
Accepts: Marks, Marks HI-SECURITY™, Medeco®, KeyMark™, Falcon, Schlage® small format & Best®.

**IC Core Tailpieces ARE Included.**

# CYLINDRICAL LEVER FUNCTIONS

ANSI # CODE	Marks Function	
	I/S	O/S
<b>F75 PASSAGE:</b> Latch by lever either side.		N
<b>F76 PRIVACY:</b> Latch by lever either side unless outside lever locked by push-button from inside. Outside unlocks by turning inside lever, outside emergency turn or closing door.		L
<b>F76 (MOD.) HOSPITAL/PRIVACY:</b> Latch by lever either side unless outside lever locked by push-button from inside. Outside unlocks by turning inside lever, outside emergency turn-knob or closing door.		LK
<b>F77 PATIO:</b> Deadlocking latch by lever either side unless outside lever locked by push-button inside. Unlocks by turning inside lever or closing door.		P
<b>F80 COMMUNICATING:</b> Key both sides. Locks or unlocks either lever independent of the other. Deadlocking latch.		DC
<b>F81 ENTRY:</b> Deadlocking latch bolt by lever either side except when outside locked by turn-button inside. When outside locked, key outside or lever inside opens lock. Turn-button operated manually.		A
<b>F82A ENTRY:</b> Deadlocking latch by lever either side. Outside locked by push-button inside. When outside locked by push-button inside, key opens lock, unlocks push-button. Inside lever always opens latch. Closing door does not release push-button.		B
<b>F83 EXIT:</b> Deadlocking latch by lever either side except when outside locked by turn-button inside. Inside lever always opens latch. Turn-button operated manually.		AQ
<b>F84 CLASSROOM:</b> Deadlocking latch by lever inside. Outside lever locked or unlocked by key.		S
<b>F86 STOREROOM:</b> Deadlocking latch by lever inside, key outside. Outside lever always locked.		F
<b>F87 INSTITUTION:</b> Both levers always locked. Deadlocking latch by key both sides.		DW
<b>F88 VESTIBULE:</b> Deadlocking latch by lever either side, except when outside lever locked by key inside. Key outside retracts deadlocking latch. Inside always open.		DA
<b>F89 EXIT:</b> Deadlocking latch by lever inside. Outside always locked.		FQ
<b>F90 CORRIDOR:</b> Deadlocking latch by lever either side unless outside locked by key or inside push-button. Unlock by key, turning inside lever or closing door.		T

ANSI # CODE	Marks Function	
	I/S	O/S
<b>F90 (MOD.) HOSPITAL/PRIVACY:</b> Deadlocking latch by lever either side unless outside locked by lever or inside push-button. Unlock by turn-knob, turning inside lever or closing door.		TK
<b>F91 STORE DOOR (95 Series Leverset ONLY):</b> Deadlocking latch by lever either side except when both levers are locked by key from either side.		GB
<b>F92 SERVICE STATION LOCK:</b> Deadlocking latch by lever either side unless outside locked by key or inside push-button. Unlock by key, turning inside lever or closing door, except when slotted push-button is turned in locked position. Inside lever always opens latch.		BS
<b>F93 HOTEL:</b> Deadlocking latch by lever inside. Outside lever always locked. Inside push-button projects indicator on cylinder face shutting out all keys except emergency key. Turning inside lever or closing door releases push-button.		H
<b>F109 ENTRY:</b> Outside locked by pushing turn-button inside. Key outside opens lock. Rotating inside lever releases button and outside lever. By pushing and turning inside button, outside lever remains locked. Deadlocking latch.		AB
<b>F110 CLASSROOM INTRUDER:</b> Deadlocking latch by lever either side, except when outside locked by key inside. Key outside locks or unlocks outside. Inside always open		DB
<b>DUMMY TRIM:</b> Outside only, rigid.		DO
<b>DUMMY TRIM:</b> Both sides, rigid.		DT
<b>F111 COMMUNICATING PASSAGE:</b> Blank outside. Deadlocking latch by lever inside.		NB
<b>F112 COMMUNICATING STOREROOM:</b> Blank outside. Deadlocking latch by key only. Lever always locked.		FB
<b>F113 COMMUNICATING CLASSROOM:</b> Blank outside. Inside lever locked or unlocked by key. Deadlocking latch.		SB
<b>ELECTRICALLY LOCKED - FEL (Fail Safe):</b> Outside always locked electrically. Open by key outside, switch or loss of power. Deadlocking latch by lever inside. <b>Lever only.</b>		FEL
<b>ELECTRICALLY UNLOCKED - FEU (Fail Secure):</b> Outside always locked until unlocked by key or electrically energized. Deadlocking latch by lever inside. <b>Lever only.</b>		FEU

Distributed By:



# 6-Pin and 7-Pin Interchangeable Cores

## 6-PIN AND 7-PIN INTERCHANGEABLE CORES:

### STANDARD FEATURES:

#### IC6 / IC7:

- Solid brass construction
- Accepts original pins when pinning to existing master key system
- Cap style
- Available 6-pin or 7-pin. Uncombined

CASE QTY: 20

### Interchangeable Cores

#### APPLICATIONS:

After-market installation for replacement of a malfunctioning small format interchangeable core cylinder. Integrated into existing master key system or keyed with brand new system.



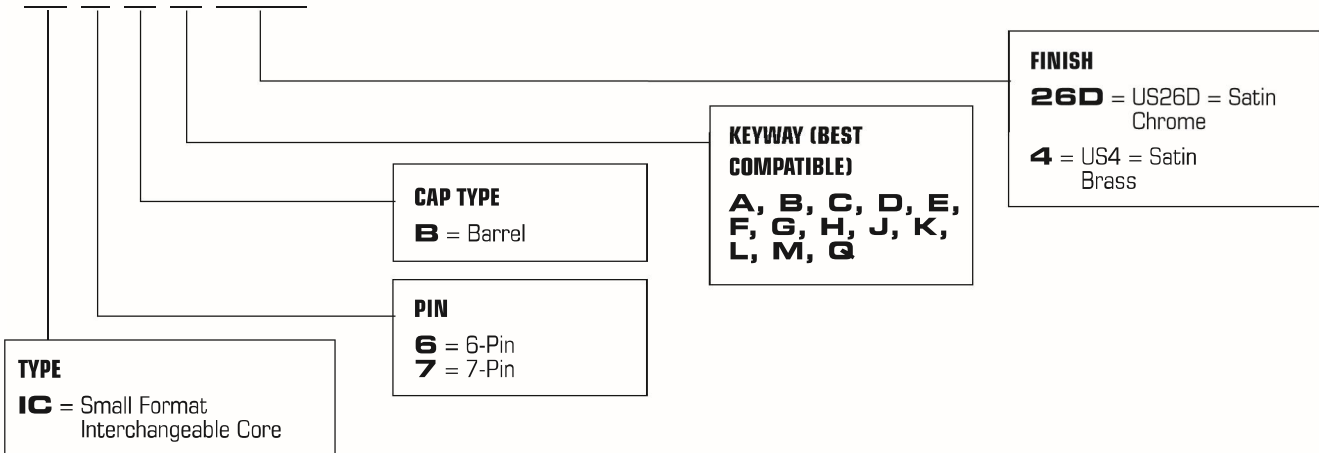
6-pin

7-pin

## 6-Pin and 7-Pin Interchangeable Cores

How to Order - Nomenclature

**IC 6 B A 26D**





# Dummy Cylinders, T-Turns, and IC Mortise and Rim Housings

## DUMMY CYLINDERS, T-TURNS, AND HOUSINGS:

### STANDARD FEATURES:

#### MC-IC / RC-IC:

Compatible with cores from Arrow®, Best®, Falcon®, and KSP®

Removable cam design allows changing of cams (cams available separately)

Mortise / Rim housings feature solid brass construction

Straight and tapered mortise housings available

#### MC-DC / MC-TT:

Solid brass construction

4 lengths (15/16", 1", 1-1/8", 1-1/4")

#### CASE QTY: 10

### APPLICATIONS:

After-market replacement.

## Dummy Cylinders



MC-DC

## Thumb-Turn Cylinders



MC-TT

## IC Mortise Housing



MCT-IC



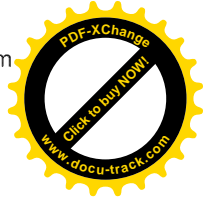
MC-IC

## IC Rim Housing



RC-IC



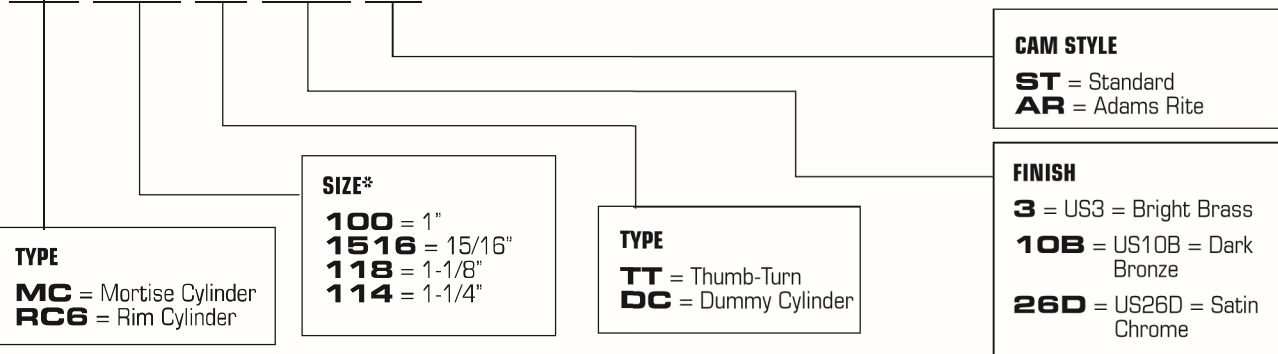


# Dummy Cylinders, T-Turns, and IC Mortise and Rim Housings

How to Order - Nomenclature

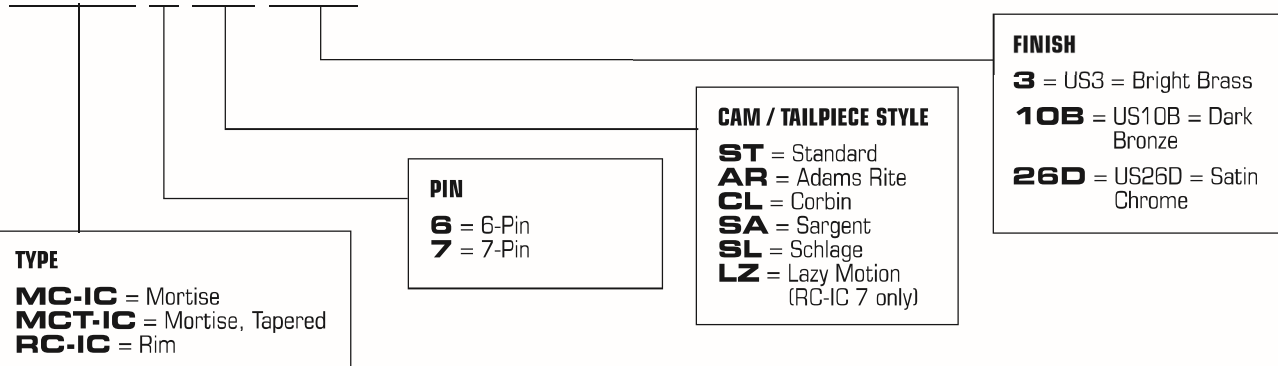
## Dummy Cylinders and T-Turns

**MC 118 TT 10B ST**



## IC Mortise and Rim Housings

**MC-IC 6 AR 10B**

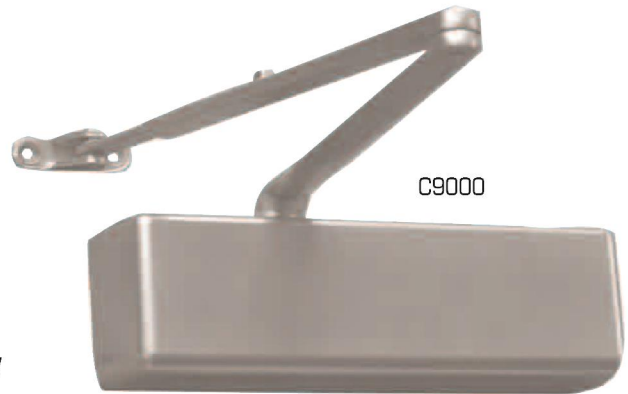




# C9000 Series Door Closer

## APPLICATIONS:

Suitable for high-traffic doors in office buildings, hospitals, schools, hotels, restaurants, nursing homes, apartments, and retail complexes. The 9000 Series surface closer has a heavy-duty cast iron body and forged steel arms, and is ideal for institutional and other heavy-use applications. The 9000 Series offers a high-quality alternative to other cast iron closers, comes in two finishes, and optional drop plates allow for installation in any situation. The C9016 comes with a 25-year warranty, one of the best in the industry. The C9016 is your best choice for high-traffic areas where rugged durability is the solution for superior door control.



## STANDARD FEATURES:

**CERTIFICATIONS:** ANSI 156.4 Grade 1, UL Listed and UL 10C, Meets ADA requirements when adjusted to size 1



**SIZES:** Adjustable 1-6

**HANDING:** Non-handed for regular top-jamb and parallel arm installations

**ARMS:** Standard tri-packed for regular arm, top jamb and parallel arm application

**COVERS:** Full cover standard

**ADJUSTING:** Standard sweep, latching and backcheck valves

**MATERIALS:** Cast iron body, forged steel arm  
Closer fluid non-gumming and non-freezing

**MOUNTING HARDWARE:** Wood and machine screws; sex nuts and bolts

**CASE QTY:** 4

**WARRANTY:** 25-year warranty

## ARMS AND PLATES:

9016-DP Drop plate for the 9000 Series closer

9016-DP PA Parallel arm drop plate for 9000 series closer

9016-H Friction hold-open arm for the 9000 Series closer

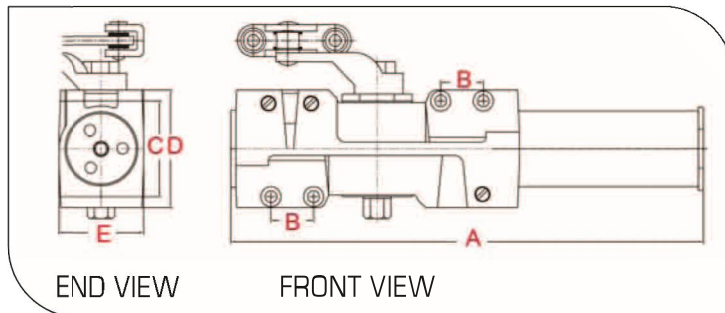
9016-MH Mechanical hold - open arm with turn and stop for the 9000 series closer



# C9000 Series Door Closer

## TECHNICAL DIMENSIONS:

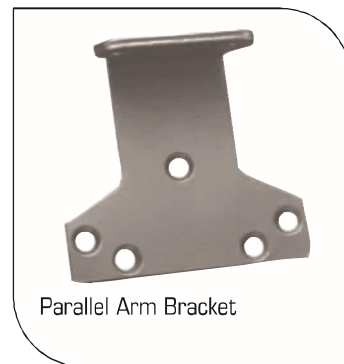
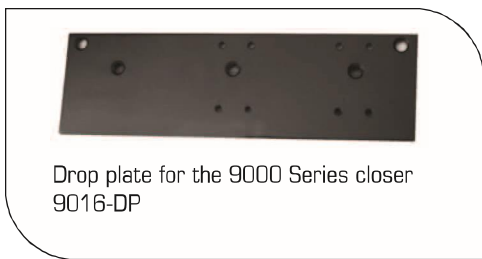
Description	Dimensions
A. Length of Closer Body	11" (280 mm)
B. Horizontal Mounting Holes	1" (25.4 mm)
C. Vertical Mounting Holes	2/1/4" (57 mm)
D. Closer Body Height	2-3/4" (70 mm)
E. Projection from Door	2" (51 mm)



## SELECTION CHART:

Maximum Size of Door							
Closer Size	Regular & Top Jamb			Parallel Arm			Applicable Door Weight Lbs (Kg)
	Interior	Exterior Inswing	Exterior outswinging	Interior	Exterior Outswinging		
1	28" (0.71m)			1			33-66 (15-30)
2	36" (0.91 m)			2	30" (0.76m)		66-99 (30-45)
3	42" (1.07 m)	30" (0.76m)	36" (0.91m)	3	36" (0.91m)	30" (0.76m)	99-143 (45-65)
4	48" (1.22 m)	36" (0.91m)	42" (1.07m)	4	42" (1.07m)	36" (0.91m)	143-187 (65-85)
5	54" (1.37 m)	42" (1.07m)	48" (1.22m)	5	48" (1.22m)	42" (1.07m)	187-264 (85-120)
6	60" (1.52 m)	48" (1.22m)	54" (1.37m)	6	54" (1.37m)	48" (1.22m)	264-330 (120-150)

## ARMS AND PLATES:





# Nylon Brush Perimeter Seal or Sweep 600



**Material**  
 Aluminum alloy 6063, T5 temper  
 Synthetic polymer: Polyamide  
 Nylon brush

- Excellent abrasion resistance, flexibility and memory
- Moisture resistant
- Retains insecticides well
- Temperature range -70°F to 425°F
- BHMA Certified to ANSI/BHMA A156.22 performance tests for heat, cold, air infiltration and smoke infiltration in most common profiles as indicated by BHMA Certified symbol
- REACH and RoHS compliant
- Not effective against water penetration
- #6 x 3/4" stainless steel sheet metal screws furnished
- Screw holes slotted for adjustment

**Finishes**

600	Mill Aluminum	Gray Brush
600A	Anodized Aluminum	Gray Brush
600B	Gold	Black Brush
600DKB	Dark Bronze	Black Brush

**Options**  
 FATT - Fast Attach Tape



<b>Project:</b>
<b>Submitted by:</b>
<b>Date:</b>
<b>Notes:</b>



NATIONAL GUARD  
PRODUCTS

# Saddle Threshold 425



### Materials & Finishes

Aluminum alloy 6063, T5 temper  
Mill finish  
DKB - dark bronze finish

- 5" wide x 1/2" tall
- Fluted top
- Typical wall thickness .162"
- Weight: .88 lbs./ft.
- #10 x 1-1/2" FH zinc plated wood screws included

Optional Slip Resistant SIA Finish

Project:

Submitted by:

Date:

Notes:

